

机构特性:

- 1. 塑壳材质: 插座-(见料号表格) UL94V-0, 插芯-PBT黑色UL94V-0;
- 2. 扁针材质: 磷青铜, 厚度0.35mm;
- 3. 扁针电镀: 接触区镀金(见料号表格), 镍底, 剥头电镀雾锡;
- 4. 可靠性: 最少750次插拔;
- 5. 插入/拔出力: 30N Max;
- 6. 配合强度: 50N 60S ± 5S.

电气特性:

- 1. 额定电压: 150 VAC RMS
- 2. 额定电流: 1.5 AMP
- 3. 接触电阻: 20 mΩ MAX.
- 4. 绝缘电阻: 1000 MΩ MIN. @500 VDC
- 5. 耐压强度:
CONTACT TO CONTACT : 1000 V DC OR AC PEAK ;
CONTACT TO SCREEN AND TEST PANEL : 1500 V DC OR AC PEAK
@ 0.5mA 50 Hz 或 60 Hz 一分钟

MECHANICAL:

- 1. HOUSING MATERIAL : (SEE TABLE) UL94V-0.
- INSERT MATERIAL : PBT UL94V-0. COLOR BLACK
- 2. CONTACT MATERIAL : PHOSPHOR BRONZE T=0.35mm.
- 3. PLATING : 1: CONTACT AREA- SELECTIVE GOLD PLATING. 2: TAILS PLATING TIN OVER NICKEL.
- 4. OPERATING LIFE : 750 CYCLES MIN.
- 5. MATING/UNMATING FORCE: : 30N Max.
- 6. RETENTION STRENGTH: : 50N FOR 60S±5S.

NOTES:

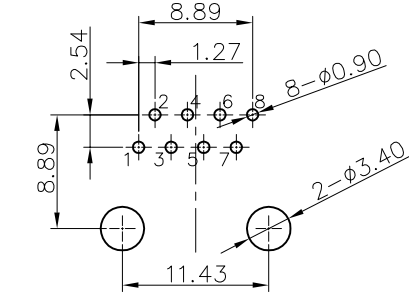
ELECTRICAL:

- 1. VOLTAGE RATING : 150 VAC RMS.
- 2. CURRENT RATING : 1.5 AMP.
- 3. CONTACT RESISTANCE : 20 MILLIOHMS MAX.
- 4. INSULATION RESISTANCE : 1000 MEGOHMS MIN @ 500 VDC
- 5. DIELECTRIC STRENGTH : CONTACT TO CONTACT:1000 V DC OR AC PEAK ; CONTACT TO SCREEN AND TEST PANEL:1500 V DC OR AC PEAK ; @ 0.5mA 50 Hz OR 60 Hz A MINUTE

ENVIRONMENTAL:

- 1. STORAGE : -40°C TO +85°C RELATIVE HUMIDITY<80%.
- 2. OPERATION : -40°C TO +85°C.

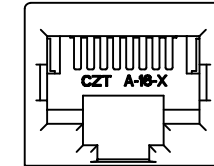
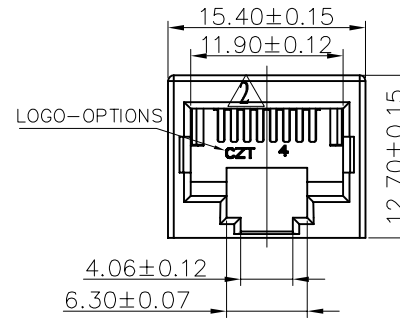
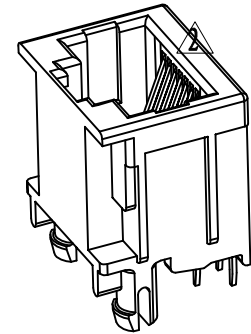
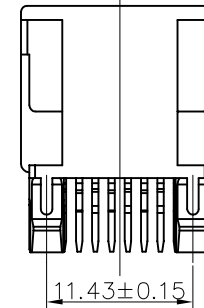
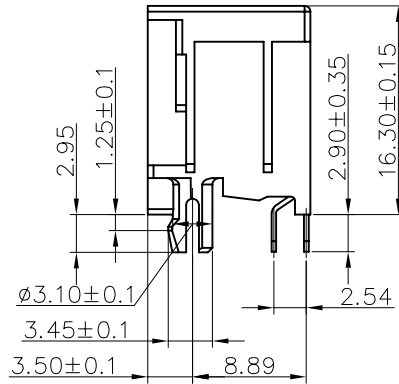
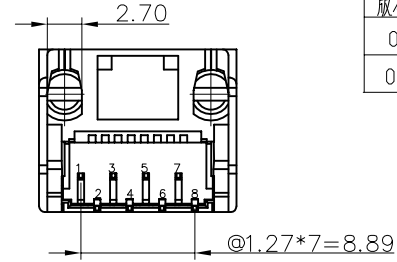
MATES WITH MODULAR PLUG CONFORMING TO IEC-60603 & TIA-1096.



RECOMMENDED PCB LAYOUT (TOP VIEW)
T=1.2 (ALL TOLERANCES ARE ±0.05)

环境特性:

- 1. 储存温度: -40°C ~ +85°C 相对湿度<80%
- 2. 工作温度: -40°C ~ +85°C



P/N 料号	DESCRIPTION 描述	MATERIAL COLOR 材质	LOGO 商标
10202688B023	52 RJ45 单胞插座 180度 16.3 高配 PCB 厚度 1.20 8P8C 3u* 带 CZT	普通 PBT 蓝 285C (环保料)	CZT
10202688B022	52 RJ45 单胞插座 180度 16.3 高配 PCB 厚度 1.20 8P8C 3u* 带 CZT	普通 PBT 黄 114C (环保料) / DOC420016	CZT

RoHS Compliant

CZT 温州意华接插件股份有限公司
WENZHOU YIHUA CONNECTOR CO., LTD

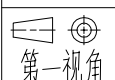
TOLERANCES 公差

0 - 15	±0.15
15 - 30	±0.20
30 -	±0.25

ANGLES: ±1°

Material: 材质	SEE NOTE	Designed: 设计	陈智艳
Finish: 电镀	SEE NOTE	Checked: 审核	
SHEET 1 OF 2 第 1 页 共 2 页		Approved: 核准	

NAME: 名称	52 RJ45 TOP ENTRY PCB JACK(H=16.3)8P8C
DWG NO: 图号	E52141101
PART NO: 料号	NA



SCALE 比例: 1:1

UNIT 单位: mm

CUSTOMER: 客户: N/A

MODEL NO: 料号: N/A

REV. 版本: 02

REV. 版本	ECN NO. 变更说明	DATE 日期
01	新案开发选型8P2C	2014.11.07
02	ECR15042300	2015.06.04

机构特性:

1. 塑壳材质: 插座-(见料号表格)UL94V-0, 插芯-PBT黑色UL94V-0;
2. 扁针材质: 磷青铜, 厚度0.35mm;
3. 扁针电镀: 接触区镀金(见料号表格), 镀底, 剥头电镀雾锡;
4. 可靠性: 最少750次插拔;
5. 插入/拔出力: 30N Max;
6. 配合强度: 50N 60S ± 5S.

电气特性:

1. 额定电压: 150 VAC RMS
2. 额定电流: 1.5 AMP
3. 接触电阻: 20 mΩ MAX.
4. 绝缘电阻: 1000 MΩ MIN. @500 VDC
5. 耐压强度:

CONTACT TO CONTACT : 1000 V DC OR AC PEAK ;
 CONTACT TO SCREEN AND TEST PANEL : 1500 V DC OR AC PEAK
 @ 0.5mA 50 Hz 或 60 Hz 一分钟

MECHANICAL:

1. HOUSING MATERIAL : (SEE TABLE) UL94V-0.
- INSERT MATERIAL : PBT UL94V-0. COLOR BLACK
- CONTACT MATERIAL : PHOSPHOR BRONZE T=0.35mm.
- PLATING : 1: CONTACT AREA- SELECTIVE GOLD PLATING. 2: TAILS PLATING TIN OVER NICKEL.
- OPERATING LIFE : 750 CYCLES MIN.
- MATING/UNMATING FORCE: 30N Max.
- RETENTION STRENGTH: 50N FOR 60S±5S.

NOTES:

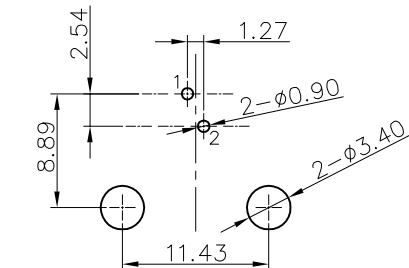
ELECTRICAL:

1. VOLTAGE RATING : 150 VAC RMS.
2. CURRENT RATING : 1.5 AMP.
3. CONTACT RESISTANCE : 20 MILLIOHMS MAX.
4. INSULATION RESISTANCE : 1000 MEGOHMS MIN @ 500 VDC
5. DIELECTRIC STRENGTH : CONTACT TO CONTACT:1000 V DC OR AC PEAK
: CONTACT TO SCREEN AND TEST PANEL:1500 V DC OR AC PEAK
: @ 0.5mA 50 Hz OR 60 Hz A MINUTE

ENVIRONMENTAL:

1. STORAGE : -40°C TO +85°C RELATIVE HUMIDITY<80%.
2. OPERATION : -40°C TO +85°C.

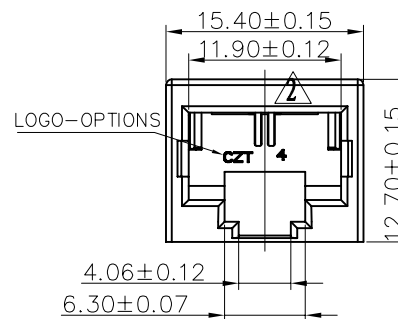
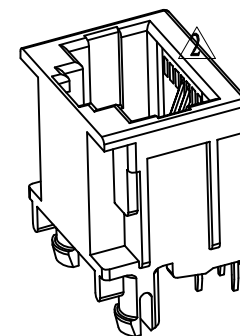
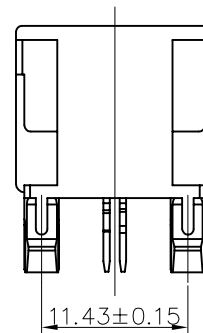
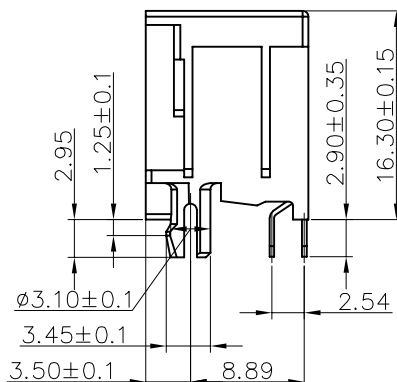
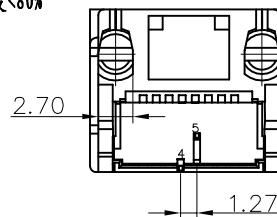
MATES WITH MODULAR PLUG CONFORMING TO IEC-60603 & TIA-1096.



RECOMMENDED PCB LAYOUT (TOP VIEW)
 T=1.2 (ALL TOLERANCES ARE ±0.05)

环境特性:

1. 储存温度: -40°C ~ +85°C 相对湿度<80%
2. 工作温度: -40°C ~ +85°C



P/N 料号	DESCRIPTION 描述	MATERIAL COLOR 材质	LOGO 商标
10202682B002	52 RJ45单胞插座180度16.3高配PCB厚度1.20 8P2C(4.5位) 3u" 带CZT	普通PBT冷灰3U(环保料)/DOC820018	CZT

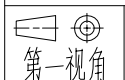
CZT® 温州意华接插件股份有限公司
 WENZHOU YIHUA CONNECTOR CO., LTD

TOLERANCES 公差	
0 ~ 15	±0.15
15 ~ 30	±0.20
30 ~	±0.25
ANGLES: ±1°	

Material: 材质	SEE NOTE	Designed: 设计	陈智艳
Finish: 电镀	SEE NOTE	Checked: 审核	
SHEET 2 OF 2	第 2 页 共 2 页	Approved: 核准	

NAME: 名称	52 RJ45 TOP ENTRY PCB JACK(H=16.3)8P2C
DWG NO: 图号	E52141101
PART NO: 料号	NA

REV. 版本	02
---------	----



SCALE 比例: 1:1
 UNIT 单位: mm
 CUSTOMER: N/A
 MODEL NO: N/A